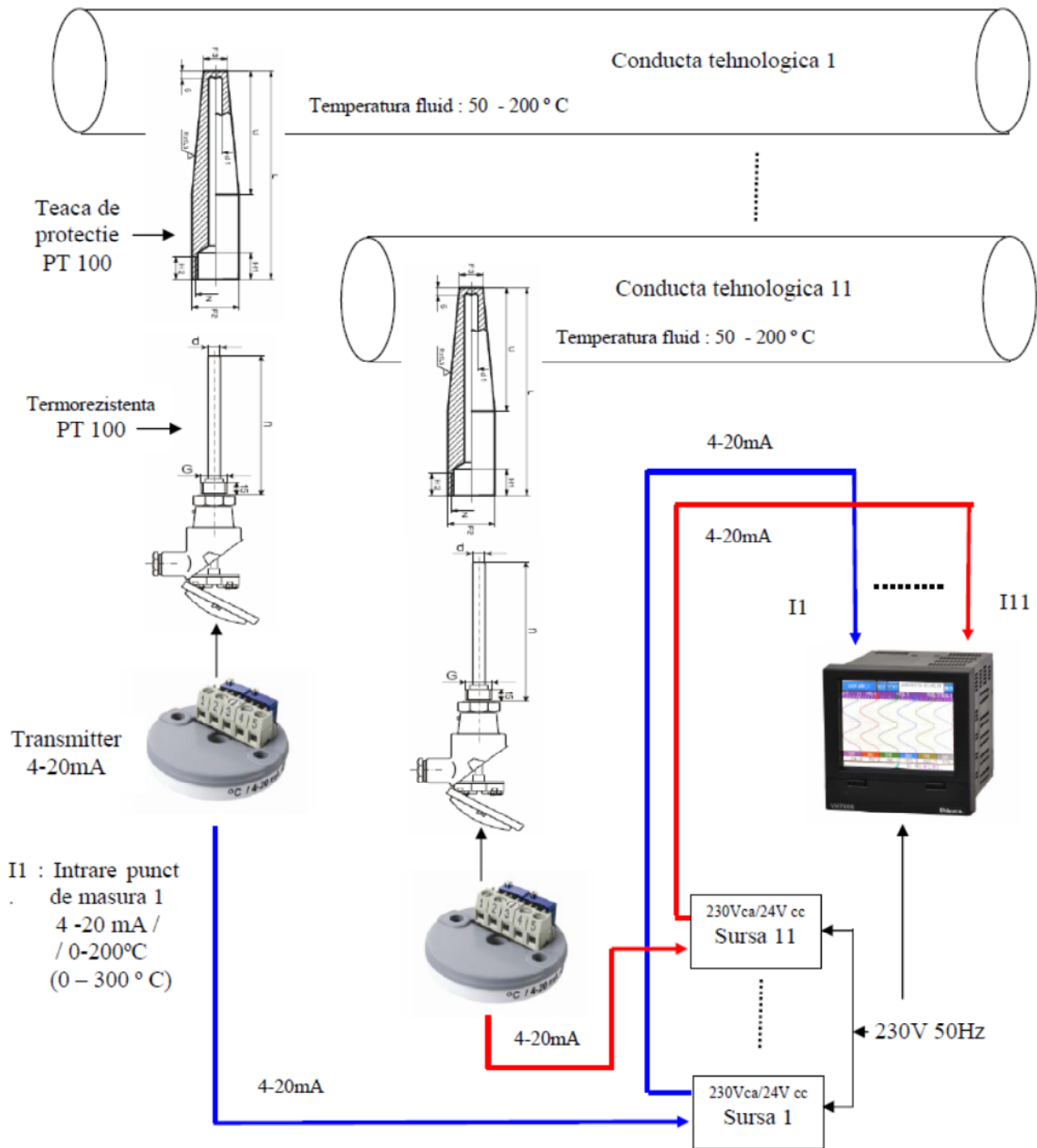
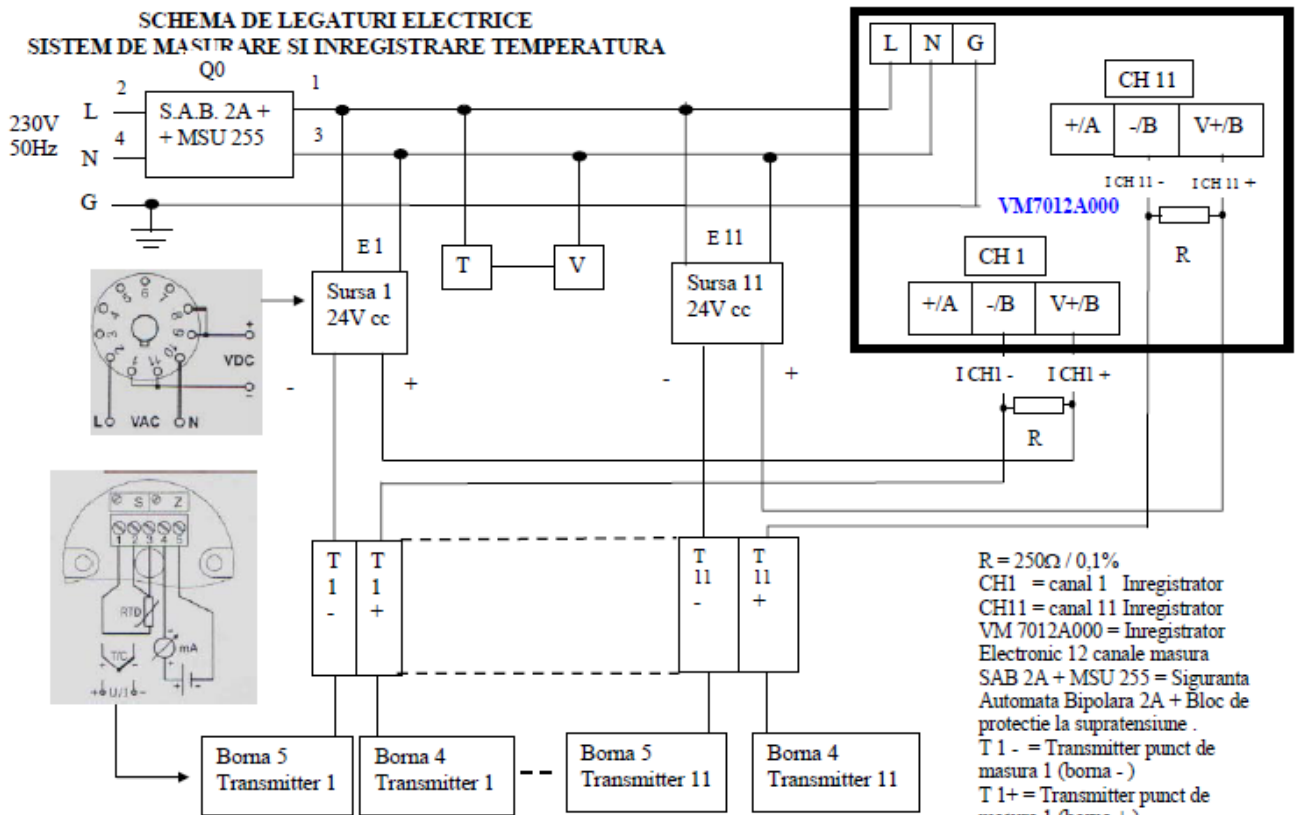


SISTEM DE MASURARE SI INREGISTRARE TEMPERATURA



**SCHEMA DE LEGATURI ELECTRICE
SISTEM DE MASURARE SI INREGISTRARE TEMPERATURA**



- R = 250Ω / 0.1%
- CH1 = canal 1 Inregistrator
- CH11 = canal 11 Inregistrator
- VM 7012A000 = Inregistrator Electronic 12 canale masura
- SAB 2A + MSU 255 = Siguranta Automata Bipolara 2A + Bloc de protectie la supratensiune .
- T 1 - = Transmitter punct de masura 1 (borna -)
- T 1+ = Transmitter punct de masura 1 (borna +)
- T = Termostat 0 – 60°C
- V = Ventilator 230V ca
- E1 – E 11 Surse 24V cc
- I CH 1 - = Intrare Canal 1 -
- I CH 1 + = Intrare Canal 1 +